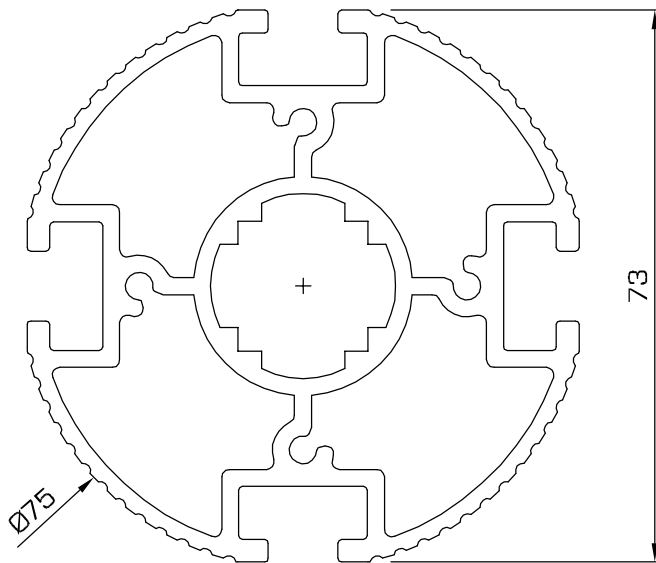
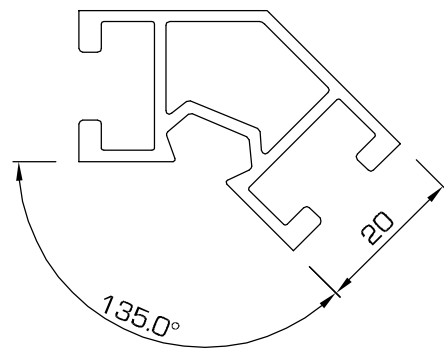


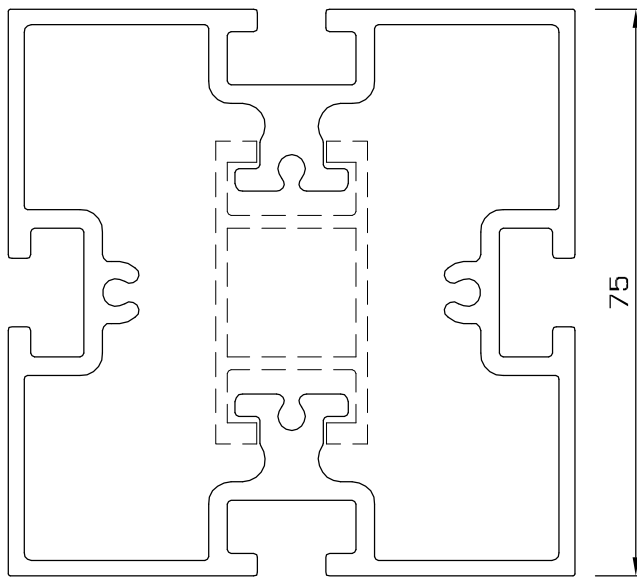
74 - Upright, small circular profile with ribbed finish



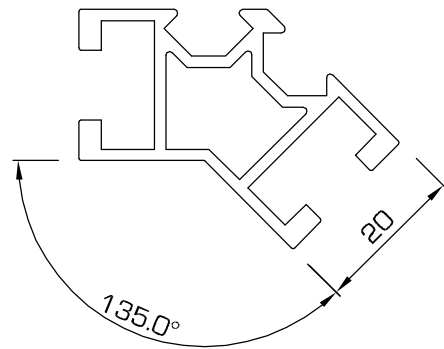
82 - Upright, 135°, inside shelf support



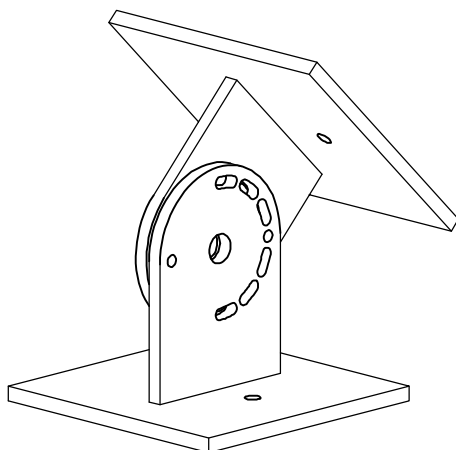
75S - Upright or rail, square



82AE - Upright, 135°, outside shelf support



75S AJ - Articulated joint for profile 75S (scale 1:2, please note this is classed as an accessory)



M8 Insert - Threaded insert for profiles 74, 164, and 180 (please note this is classed as an accessory)

